

# Linear Electric Actuator

## Series AELB

Cat :

### Rod less Electric Actuator-Belt type 220mm

#### Features

- ❑ Compact Robust Design
- ❑ Highly flexible mounting
- ❑ More Precise & positioning
- ❑ Ease of positioning
- ❑ Ease of Maintenance

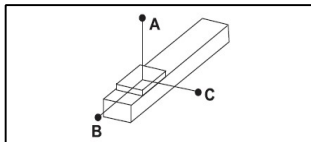


#### Technical Specifications

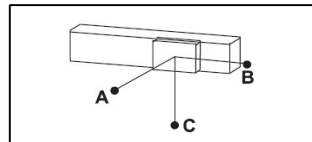
Repeatability (mm)		±0.04
Motor Power (AC Servo in W)		750
Lead (mm)		40
Maximum Speed (mm/s)		2000
Maximum Payload	Horizontal (Kg)	85
	Vertical (Kg)	-
Rated Thrust (N)		367
Stroke / Pitch (mm)		50-3500 mm/50mm pitch
Belt width (mm)		50
High Rigidity Linear Guide (mm)		W23XH18
Home Sensor	Outside	EE-SX672 (NPN)

\*Acceleration & deceleration value is set as 0.4 seconds

#### Allowable Moment



Unit:mm

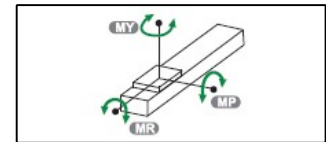


Unit:mm

Horizontal Installation	A	B	C
45Kg	1588	600	349
65Kg	1052	328	285
85Kg	768	281	206

Wall Installation	A	B	C
40Kg	500	685	1805
60Kg	315	430	1152
85Kg	206	281	768

#### Static loading moment



Unit:Nm

MY	2052
MP	2052
MR	1810

#### Note:

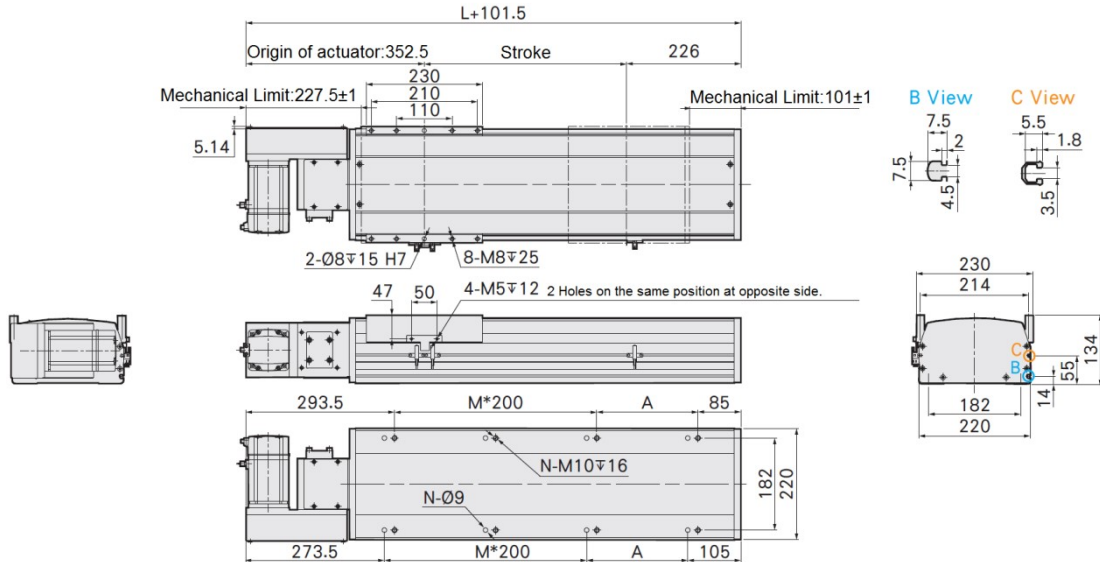
- The torque value in the chart indicates the center of gravity.
- Operation life is 10,000km when the product is using under the specified conditions.
- Data information is not for ceiling-mount inverse use. Contact us for the details if you want to apply ceiling-mount inverse usage

# Linear Electric Actuator

## Series AELB

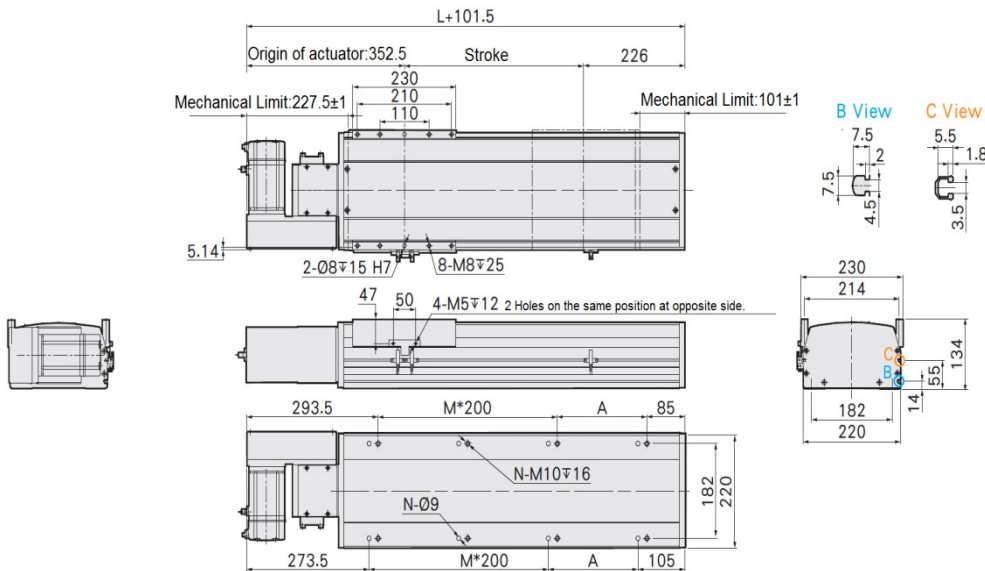
Cat :

### Motor Left side-L



Stroke	50	100	150	200	250	300	350	400	450	500	550	600	650	700	750	800	850	900	950	1000	1050	1100	1150	1200	1250	1300	1350	1400	1450	1500	1550
L	527	577	627	677	727	777	827	877	927	977	1027	1077	1127	1177	1227	1277	1327	1377	1427	1477	1527	1577	1627	1677	1727	1777	1827	1877	1927	1977	2027
A	50	100	150	200	50	100	150	200	50	100	150	200	50	100	150	200	50	100	150	200	50	100	150	200	50	100	150	200	50	100	150
M	1	1	1	1	2	2	2	2	3	3	3	3	4	4	4	4	5	5	5	5	6	6	6	6	7	7	7	7	8	8	8
N	6	6	6	6	8	8	8	8	10	10	10	10	12	12	12	12	14	14	14	14	16	16	16	16	18	18	18	18	20	20	20
Weight(Kg)*	28.8	30	31.2	32.4	33.6	34.8	36	37.2	38.4	39.6	40.8	42	43.2	44.4	45.6	46.8	48	49.2	50.4	51.6	52.8	54	55.2	56.4	59.2	59.8	60	61.2	62.4	63.6	64.8
Stroke	1600	1650	1700	1750	1800	1850	1900	1950	2000	2050	2100	2150	2200	2250	2300	2350	2400	2450	2500	2550	2600	2650	2700	2750	2800	2850	2900	2950	3000	3050	
L	2077	2127	2177	2227	2277	2327	2377	2427	2477	2527	2577	2627	2677	2727	2777	2827	2877	2927	2977	3027	3077	3127	3177	3227	3277	3327	3377	3427	3477	3527	
A	200	50	100	150	200	50	100	150	200	50	100	150	200	50	100	150	200	50	100	150	200	50	100	150	200	50	100	150	200	50	
M	8	9	9	9	9	10	10	10	10	11	11	11	11	12	12	12	12	13	13	13	13	14	14	14	14	15	15	15	15	16	
N	20	22	22	22	22	24	24	24	24	26	26	26	26	28	28	28	28	30	30	30	30	32	32	32	32	34	34	34	34	36	
Weight(Kg)*	66	67.2	68.4	69.6	70.8	72	73.2	74.4	75.6	76.8	78	79.2	80.4	81.6	82.8	84	85.2	86.4	87.6	88.8	90	91.2	92.4	93.6	94.8	96	97.2	98.4	99.6	101	

### Motor Right Side-R



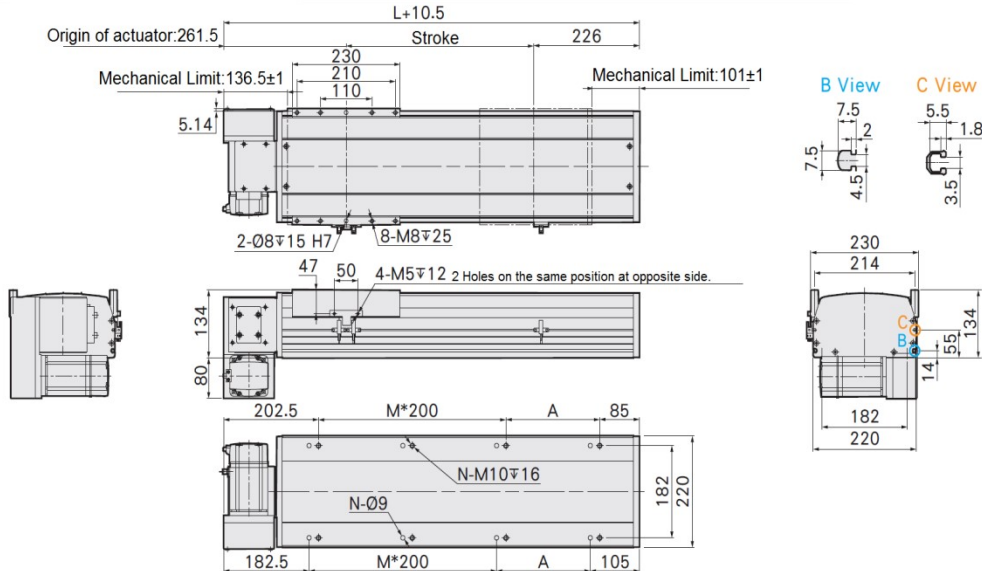
Stroke	50	100	150	200	250	300	350	400	450	500	550	600	650	700	750	800	850	900	950	1000	1050	1100	1150	1200	1250	1300	1350	1400	1450	1500	1550
L	527	577	627	677	727	777	827	877	927	977	1027	1077	1127	1177	1227	1277	1327	1377	1427	1477	1527	1577	1627	1677	1727	1777	1827	1877	1927	1977	2027
A	50	100	150	200	50	100	150	200	50	100	150	200	50	100	150	200	50	100	150	200	50	100	150	200	50	100	150	200	50	100	150
M	1	1	1	1	2	2	2	2	3	3	3	3	4	4	4	4	5	5	5	5	6	6	6	6	7	7	7	7	8	8	8
N	6	6	6	6	8	8	8	8	10	10	10	10	12	12	12	12	14	14	14	14	16	16	16	16	18	18	18	18	20	20	20
Weight(Kg)*	28.8	30	31.2	32.4	33.6	34.8	36	37.2	38.4	39.6	40.8	42	43.2	44.4	45.6	46.8	48	49.2	50.4	51.6	52.8	54	55.2	56.4	59.2	59.8	60	61.2	62.4	63.6	64.8
Stroke	1600	1650	1700	1750	1800	1850	1900	1950	2000	2050	2100	2150	2200	2250	2300	2350	2400	2450	2500	2550	2600	2650	2700	2750	2800	2850	2900	2950	3000	3050	
L	2077	2127	2177	2227	2277	2327	2377	2427	2477	2527	2577	2627	2677	2727	2777	2827	2877	2927	2977	3027	3077	3127	3177	3227	3277	3327	3377	3427	3477	3527	
A	200	50	100	150	200	50	100	150	200	50	100	150	200	50	100	150	200	50	100	150	200	50	100	150	200	50	100	150	200	50	
M	8	9	9	9	9	10	10	10	10	11	11	11	11	12	12	12	12	13	13	13	13	14	14	14	14	15	15	15	15	16	
N	20	22	22	22	22	24	24	24	24	26	26	26	26	28	28	28	28	30	30	30	30	32	32	32	32	34	34	34	34	36	
Weight(Kg)*	66	67.2	68.4	69.6	70.8	72	73.2	74.4	75.6	76.8	78	79.2	80.4	81.6	82.8	84	85.2	86.4	87.6	88.8	90	91.2	92.4	93.6	94.8	96	97.2	98.4	99.6	101	

# Linear Electric Actuator

## Series AELB

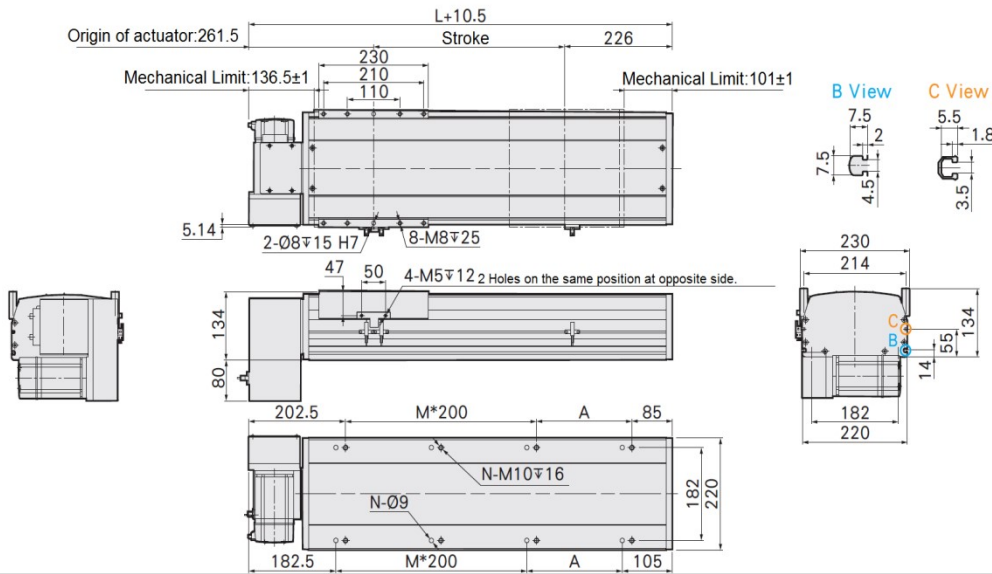
Cat :

### Motor Left Lower side-Q



Stroke	50	100	150	200	250	300	350	400	450	500	550	600	650	700	750	800	850	900	950	1000	1050	1100	1150	1200	1250	1300	1350	1400	1450	1500	1550
L	527	577	627	677	727	777	827	877	927	977	1027	1077	1127	1177	1227	1277	1327	1377	1427	1477	1527	1577	1627	1677	1727	1777	1827	1877	1927	1977	2027
A	50	100	150	200	50	100	150	200	50	100	150	200	50	100	150	200	50	100	150	200	50	100	150	200	50	100	150	200	50	100	150
M	1	1	1	1	2	2	2	2	3	3	3	3	4	4	4	4	5	5	5	5	6	6	6	6	7	7	7	7	8	8	8
N	6	6	6	6	8	8	8	8	8	10	10	10	12	12	12	12	14	14	14	14	16	16	16	16	18	18	18	18	20	20	20
Weight(Kg)*	28.8	30	31.2	32.4	33.6	34.8	36	37.2	38.4	39.6	40.8	42	43.2	44.4	45.6	46.8	48	49.2	50.4	51.6	52.8	54	55.2	56.4	59.2	59.8	60	61.2	62.4	63.6	64.8
Stroke	1600	1650	1700	1750	1800	1850	1900	1950	2000	2050	2100	2150	2200	2250	2300	2350	2400	2450	2500	2550	2600	2650	2700	2750	2800	2850	2900	2950	3000	3050	
L	2077	2127	2177	2227	2277	2327	2377	2427	2477	2527	2577	2627	2677	2727	2777	2827	2877	2927	2977	3027	3077	3127	3177	3227	3277	3327	3377	3427	3477	3527	
A	200	50	100	150	200	50	100	150	200	50	100	150	200	50	100	150	200	50	100	150	200	50	100	150	200	50	100	150	200	50	
M	8	9	9	9	9	10	10	10	10	11	11	11	11	12	12	12	12	13	13	13	13	14	14	14	14	15	15	15	15	16	
N	20	22	22	22	22	24	24	24	24	26	26	26	26	28	28	28	28	30	30	30	30	32	32	32	32	34	34	34	34	36	
Weight(Kg)*	66	67.2	68.4	69.6	70.8	72	73.2	74.4	75.6	76.8	78	79.2	80.4	81.6	82.8	84	85.2	86.4	87.6	88.8	90	91.2	92.4	93.6	94.8	96	97.2	98.4	99.6	101	

### Motor Right Lower side-Y



Stroke	50	100	150	200	250	300	350	400	450	500	550	600	650	700	750	800	850	900	950	1000	1050	1100	1150	1200	1250	1300	1350	1400	1450	1500	1550
L	527	577	627	677	727	777	827	877	927	977	1027	1077	1127	1177	1227	1277	1327	1377	1427	1477	1527	1577	1627	1677	1727	1777	1827	1877	1927	1977	2027
A	50	100	150	200	50	100	150	200	50	100	150	200	50	100	150	200	50	100	150	200	50	100	150	200	50	100	150	200	50	100	150
M	1	1	1	1	2	2	2	2	3	3	3	3	4	4	4	4	5	5	5	5	6	6	6	6	7	7	7	7	8	8	8
N	6	6	6	6	8	8	8	8	8	10	10	10	12	12	12	12	14	14	14	14	16	16	16	16	18	18	18	18	20	20	20
Weight(Kg)*	28.8	30	31.2	32.4	33.6	34.8	36	37.2	38.4	39.6	40.8	42	43.2	44.4	45.6	46.8	48	49.2	50.4	51.6	52.8	54	55.2	56.4	59.2	59.8	60	61.2	62.4	63.6	64.8
Stroke	1600	1650	1700	1750	1800	1850	1900	1950	2000	2050	2100	2150	2200	2250	2300	2350	2400	2450	2500	2550	2600	2650	2700	2750	2800	2850	2900	2950	3000	3050	
L	2077	2127	2177	2227	2277	2327	2377	2427	2477	2527	2577	2627	2677	2727	2777	2827	2877	2927	2977	3027	3077	3127	3177	3227	3277	3327	3377	3427	3477	3527	
A	200	50	100	150	200	50	100	150	200	50	100	150	200	50	100	150	200	50	100	150	200	50	100	150	200	50	100	150	200	50	
M	8	9	9	9	9	10	10	10	10	11	11	11	11	12	12	12	12	13	13	13	13	14	14	14	14	15	15	15	15	16	
N	20	22	22	22	22	24	24	24	24	26	26	26	26	28	28	28	28	30	30	30	30	32	32	32	32	34	34	34	34	36	
Weight(Kg)*	66	67.2	68.4	69.6	70.8	72	73.2	74.4	75.6	76.8	78	79.2	80.4	81.6	82.8	84	85.2	86.4	87.6	88.8	90	91.2	92.4	93.6	94.8	96	97.2	98.4	99.6	101	

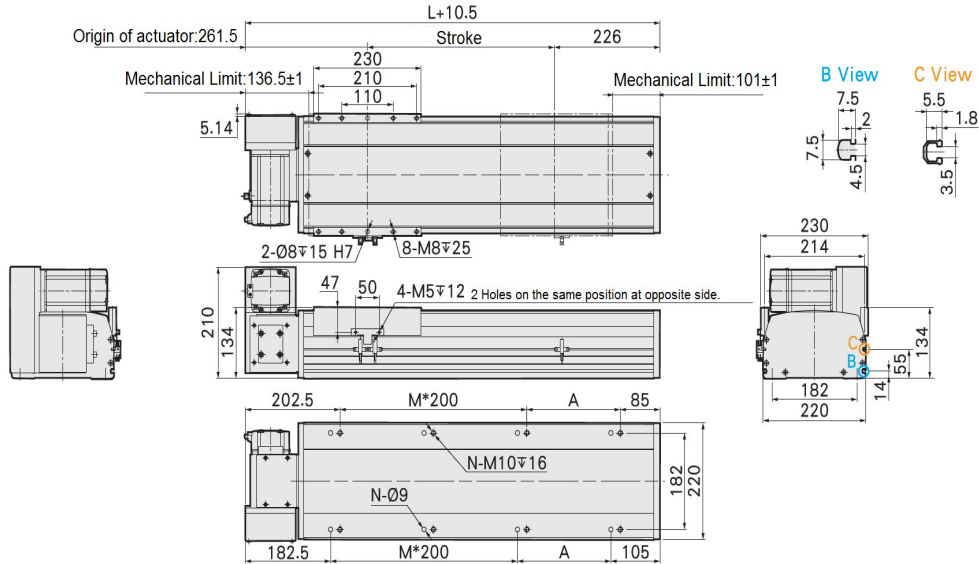


# Linear Electric Actuator

## Series AELB

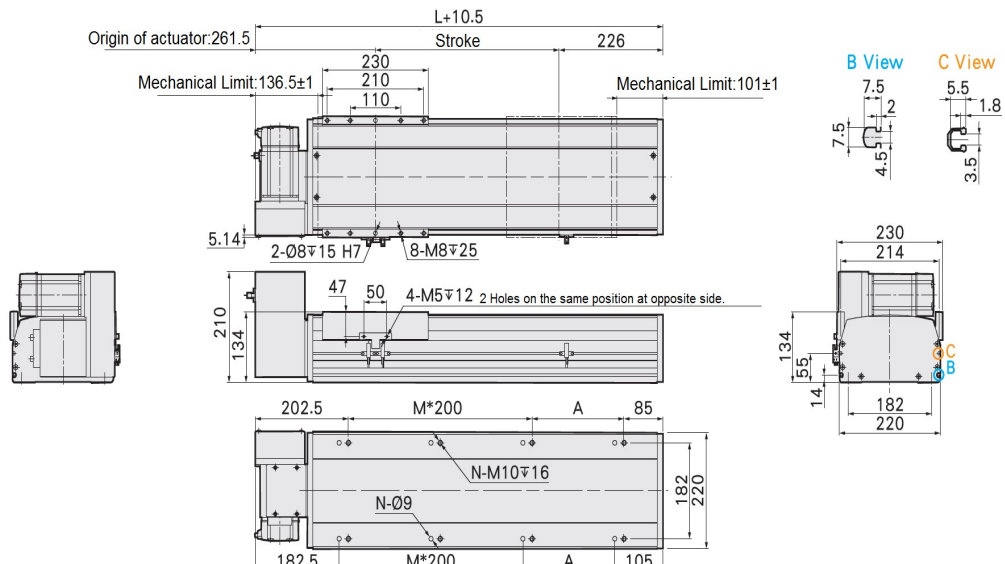
Cat :

### Motor Left Upper side-P



Stroke	50	100	150	200	250	300	350	400	450	500	550	600	650	700	750	800	850	900	950	1000	1050	1100	1150	1200	1250	1300	1350	1400	1450	1500	1550
L	527	577	627	677	727	777	827	877	927	977	1027	1077	1127	1177	1227	1277	1327	1377	1427	1477	1527	1577	1627	1677	1727	1777	1827	1877	1927	1977	2027
A	50	100	150	200	50	100	150	200	50	100	150	200	50	100	150	200	50	100	150	200	50	100	150	200	50	100	150	200	50	100	150
M	1	1	1	1	2	2	2	2	3	3	3	3	4	4	4	4	5	5	5	5	6	6	6	6	7	7	7	7	8	8	8
N	6	6	6	6	8	8	8	8	10	10	10	10	12	12	12	12	14	14	14	14	16	16	16	16	18	18	18	18	20	20	20
Weight(Kg)*	28.8	30	31.2	32.4	33.6	34.8	36	37.2	38.4	39.6	40.8	42	43.2	44.4	45.6	46.8	48	49.2	50.4	51.6	52.8	54	55.2	56.4	59.2	59.8	60	61.2	62.4	63.6	64.8
Stroke	1600	1650	1700	1750	1800	1850	1900	1950	2000	2050	2100	2150	2200	2250	2300	2350	2400	2450	2500	2550	2600	2650	2700	2750	2800	2850	2900	2950	3000	3050	
L	2077	2127	2177	2227	2277	2327	2377	2427	2477	2527	2577	2627	2677	2727	2777	2827	2877	2927	2977	3027	3077	3127	3177	3227	3277	3327	3377	3427	3477	3527	
A	200	50	100	150	200	50	100	150	200	50	100	150	200	50	100	150	200	50	100	150	200	50	100	150	200	50	100	150	200	50	
M	8	9	9	9	9	10	10	10	10	10	11	11	11	11	12	12	12	13	13	13	13	14	14	14	14	15	15	15	15	16	
N	20	22	22	22	22	24	24	24	24	24	26	26	26	26	28	28	28	28	30	30	30	30	32	32	32	32	34	34	34	36	
Weight(Kg)*	66	67.2	68.4	69.6	70.8	72	73.2	74.4	75.6	76.8	78	79.2	80.4	81.6	82.8	84	85.2	86.4	87.6	88.8	90	91.2	92.4	93.6	94.8	96	97.2	98.4	99.6	101	

### Motor Right Upper side-X



Stroke	50	100	150	200	250	300	350	400	450	500	550	600	650	700	750	800	850	900	950	1000	1050	1100	1150	1200	1250	1300	1350	1400	1450	1500	1550
L	527	577	627	677	727	777	827	877	927	977	1027	1077	1127	1177	1227	1277	1327	1377	1427	1477	1527	1577	1627	1677	1727	1777	1827	1877	1927	1977	2027
A	50	100	150	200	50	100	150	200	50	100	150	200	50	100	150	200	50	100	150	200	50	100	150	200	50	100	150	200	50	100	150
M	1	1	1	1	2	2	2	2	3	3	3	3	4	4	4	4	5	5	5	5	6	6	6	6	7	7	7	7	8	8	8
N	6	6	6	6	8	8	8	8	10	10	10	10	12	12	12	12	14	14	14	14	16	16	16	16	18	18	18	18	20	20	20
Weight(Kg)*	28.8	30	31.2	32.4	33.6	34.8	36	37.2	38.4	39.6	40.8	42	43.2	44.4	45.6	46.8	48	49.2	50.4	51.6	52.8	54	55.2	56.4	59.2	59.8	60	61.2	62.4	63.6	64.8
Stroke	1600	1650	1700	1750	1800	1850	1900	1950	2000	2050	2100	2150	2200	2250	2300	2350	2400	2450	2500	2550	2600	2650	2700	2750	2800	2850	2900	2950	3000	3050	
L	2077	2127	2177	2227	2277	2327	2377	2427	2477	2527	2577	2627	2677	2727	2777	2827	2877	2927	2977	3027	3077	3127	3177	3227	3277	3327	3377	3427	3477	3527	
A	200	50	100	150	200	50	100	150	200	50	100	150	200	50	100	150	200	50	100	150	200	50	100	150	200	50	100	150	200	50	
M	8	9	9	9	9	10	10	10	10	10	11	11	11	11	12	12	12	13	13	13	13	14	14	14	14	15	15	15	15	16	
N	20	22	22	22	22	24	24	24	24	24	26	26	26	26	28	28	28	28	30	30	30	30	32	32	32	32	34	34	34	36	
Weight(Kg)*	66	67.2	68.4	69.6	70.8	72	73.2	74.4	75.6	76.8	78	79.2	80.4	81.6	82.8	84	85.2	86.4	87.6	88.8	90	91.2	92.4	93.6	94.8	96	97.2	98.4	99.6	101	

# Linear Electric Actuator

## Series AELB

Cat :

### How to order

**AELB220**

<table border="1" style="width: 100%; border-collapse: collapse;"> <tr><th colspan="2">Lead</th></tr> <tr><td>40</td><td>40mm</td></tr> </table>	Lead		40	40mm	<table border="1" style="width: 100%; border-collapse: collapse;"> <tr><th colspan="2">Stroke</th></tr> <tr><td colspan="2">0050-3500mm</td></tr> </table>	Stroke		0050-3500mm		<table border="1" style="width: 100%; border-collapse: collapse;"> <tr><th colspan="2">Motor Position</th></tr> <tr><td>L</td><td>Left Side</td></tr> <tr><td>R</td><td>Right Side</td></tr> <tr><td>P</td><td>Left Upper</td></tr> <tr><td>Q</td><td>Left Lower</td></tr> <tr><td>X</td><td>Right Upper</td></tr> <tr><td>Y</td><td>Right Lower</td></tr> </table>	Motor Position		L	Left Side	R	Right Side	P	Left Upper	Q	Left Lower	X	Right Upper	Y	Right Lower	<table border="1" style="width: 100%; border-collapse: collapse;"> <tr><th colspan="2">Motor Specification</th></tr> <tr><th colspan="2">AC Servo</th></tr> <tr><td>D</td><td>Delta</td></tr> <tr><td>Y</td><td>Yaskawa</td></tr> <tr><td>M</td><td>Mitsubishi</td></tr> <tr><td>P</td><td>Panasonic</td></tr> <tr><td>V</td><td>INVT</td></tr> <tr><td>T</td><td>Others</td></tr> </table>	Motor Specification		AC Servo		D	Delta	Y	Yaskawa	M	Mitsubishi	P	Panasonic	V	INVT	T	Others	<table border="1" style="width: 100%; border-collapse: collapse;"> <tr><th colspan="2">Motor Power</th></tr> <tr><th colspan="2">AC Servo</th></tr> <tr><td>E</td><td>750W</td></tr> </table>	Motor Power		AC Servo		E	750W
Lead																																																
40	40mm																																															
Stroke																																																
0050-3500mm																																																
Motor Position																																																
L	Left Side																																															
R	Right Side																																															
P	Left Upper																																															
Q	Left Lower																																															
X	Right Upper																																															
Y	Right Lower																																															
Motor Specification																																																
AC Servo																																																
D	Delta																																															
Y	Yaskawa																																															
M	Mitsubishi																																															
P	Panasonic																																															
V	INVT																																															
T	Others																																															
Motor Power																																																
AC Servo																																																
E	750W																																															
<table border="1" style="width: 100%; border-collapse: collapse;"> <tr><th colspan="2">Brake</th></tr> <tr><td>Nil</td><td>Without Brake</td></tr> <tr><td>B</td><td>With Brake</td></tr> </table>	Brake		Nil	Without Brake	B	With Brake	<table border="1" style="width: 100%; border-collapse: collapse;"> <tr><th colspan="2">Gear Specification</th></tr> <tr><td>Nil</td><td>Without Gear Box</td></tr> </table>	Gear Specification		Nil	Without Gear Box	<table border="1" style="width: 100%; border-collapse: collapse;"> <tr><th colspan="2">Motor &amp; Encoder Cable</th></tr> <tr><td>1</td><td>1m</td></tr> <tr><td>3</td><td>3m</td></tr> <tr><td>5</td><td>5m</td></tr> <tr><td>T</td><td>10m</td></tr> </table>	Motor & Encoder Cable		1	1m	3	3m	5	5m	T	10m	<table border="1" style="width: 100%; border-collapse: collapse;"> <tr><th colspan="2">I/O Cable</th></tr> <tr><td>N</td><td>Without Cable</td></tr> <tr><td>1</td><td>1m</td></tr> <tr><td>A</td><td>1.5m</td></tr> <tr><td>2</td><td>2m</td></tr> </table>	I/O Cable		N	Without Cable	1	1m	A	1.5m	2	2m	<table border="1" style="width: 100%; border-collapse: collapse;"> <tr><th colspan="2">Customization Order no</th></tr> <tr><td>X</td><td>Special Requirements</td></tr> </table>	Customization Order no		X	Special Requirements										
Brake																																																
Nil	Without Brake																																															
B	With Brake																																															
Gear Specification																																																
Nil	Without Gear Box																																															
Motor & Encoder Cable																																																
1	1m																																															
3	3m																																															
5	5m																																															
T	10m																																															
I/O Cable																																																
N	Without Cable																																															
1	1m																																															
A	1.5m																																															
2	2m																																															
Customization Order no																																																
X	Special Requirements																																															

### Example :

Ordering no. for Rodless electric actuator-Belt type 220mm size,40mm belt lead,150 mm stroke with Delta 750W servo motor mounted at the left side, with 3m Motor cable,1.5m I/O cable with digital IO communication.

**AELB220400150L-DE-3A**