

Linear Electric Actuator

Series AELB

Cat :

Rod less Electric Actuator-Belt 102mm

Features

- ❑ Compact Robust Design
- ❑ Highly flexible mounting
- ❑ More Precise & positioning
- ❑ Ease of positioning
- ❑ Ease of Maintenance

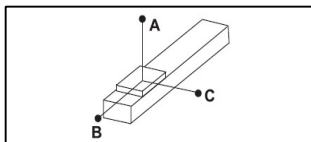


Technical Specifications

Repeatability (mm)		±0.04
Motor Power (AC Servo in W)		100
Lead (mm)		32
Maximum Speed (mm)/s		1600
Maximum Payload	Horizontal (Kg)	10
	Vertical (Kg)	-
Rated Thrust (N)		61
Stroke / Pitch (mm)		50-2550 mm/50mm pitch
Belt width (mm)		15
High Rigidity Linear Guide (mm)		W20XH18
Home Sensor	Outside	EE-SX672 (NPN)

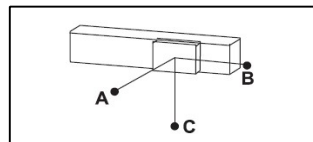
*Acceleration & deceleration value is set as 0.4 seconds

Allowable Moment



Unit:mm

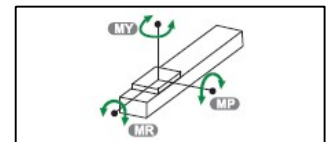
Horizontal Installation	A	B	C
5Kg	495	152	128
8Kg	301	91	77
10Kg	236	71	60



Unit:mm

Wall Installation	A	B	C
4Kg	162	192	625
7Kg	89	106	347
10Kg	60	71	236

Static loading moment



Unit:Nm

MY	110
MP	110
MR	120

Note:

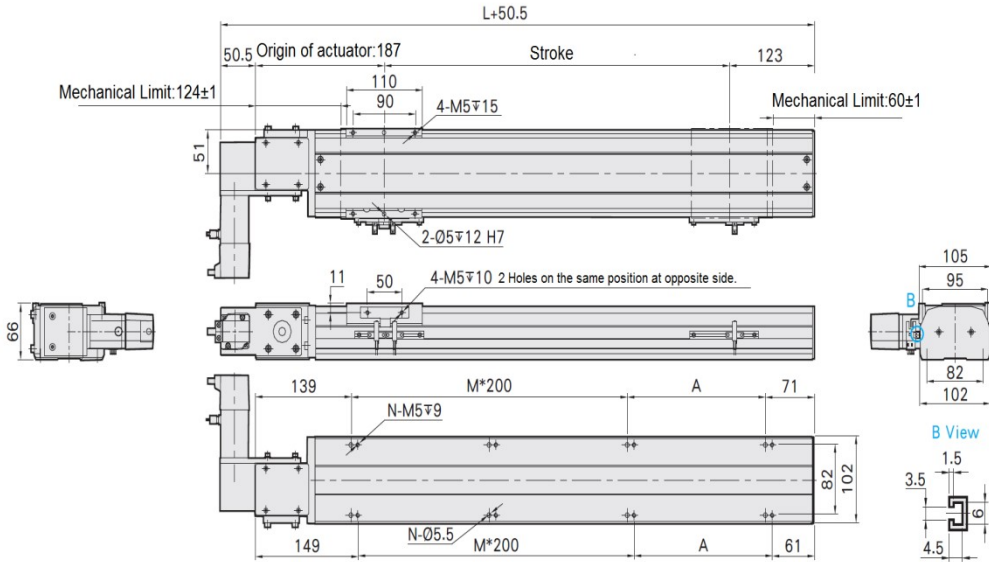
- The torque value in the chart indicates the center of gravity.
- Operation life is 10,000km when the product is using under the specified conditions.
- Data information is not for ceiling-mount inverse use. Contact us for the details if you want to apply ceiling- mount inverse usage

Linear Electric Actuator

Series AELB

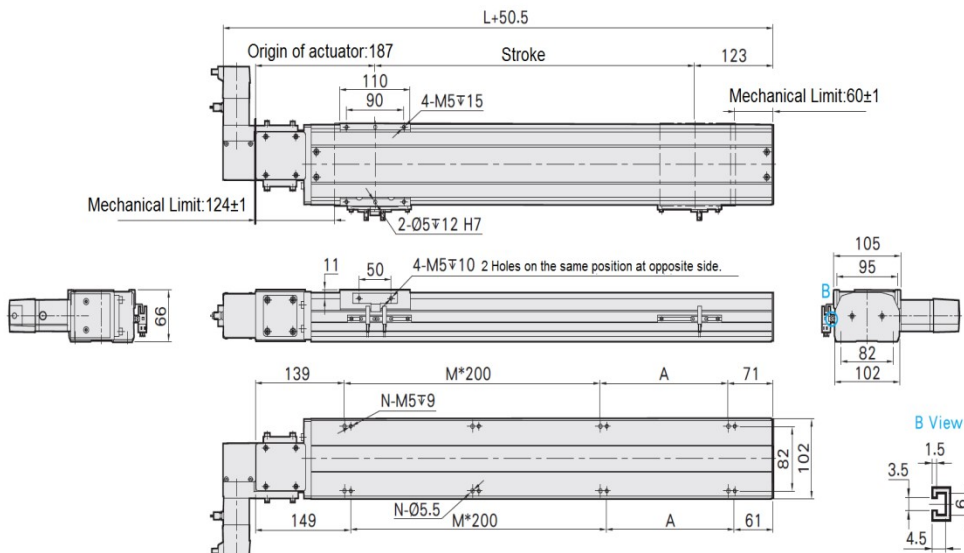
Cat :

Motor Left side-L



Stroke	50	100	150	200	250	300	350	400	450	500	550	600	650	700	750	800	850	900	950	1000	1050	1100	1150	1200	1250	1300
L	360	410	460	510	560	610	660	710	760	810	860	910	960	1010	1060	1110	1160	1210	1260	1310	1360	1410	1460	1510	1560	1610
A	150	200	50	100	150	200	50	100	150	200	50	100	150	200	50	100	150	200	50	100	150	200	50	100	150	200
M	0	0	1	1	1	1	2	2	2	2	3	3	3	3	4	4	4	4	5	5	5	5	6	6	6	6
N	4	4	6	6	6	6	8	8	8	8	10	10	10	10	12	12	12	12	14	14	14	14	16	16	16	16
Weight(Kg)*	6.37	6.8	7.23	7.65	8.07	8.5	8.92	9.34	9.76	10.19	10.61	11.03	11.46	11.88	12.3	12.73	13.15	13.57	13.99	14.42	14.84	15.26	15.68	16.1	16.52	16.9
Stroke	1350	1400	1450	1500	1550	1600	1650	1700	1750	1800	1850	1900	1950	2000	2050	2100	2150	2200	2250	2300	2350	2400	2450	2500	2550	
L	1660	1710	1760	1810	1860	1910	1960	2010	2060	2110	2160	2210	2260	2310	2360	2410	2460	2510	2560	2610	2660	2710	2760	2810	2860	
A	50	100	150	200	50	100	150	200	50	100	150	200	50	100	150	200	50	100	150	200	50	100	150	200	50	
M	7	7	7	7	8	8	8	8	9	9	9	9	10	10	10	10	11	11	11	11	12	12	12	12	13	
N	18	18	18	18	20	20	20	20	22	22	22	22	24	24	24	24	26	26	26	26	28	28	28	28	30	
Weight(Kg)*	17.36	17.78	18.2	18.62	19.04	19.46	19.88	20.3	20.72	21.14	21.56	21.98	22.4	22.82	23.24	23.66	24.08	24.5	24.92	25.34	25.76	26.18	26.6	27.02	27.44	

Motor Right Side-R



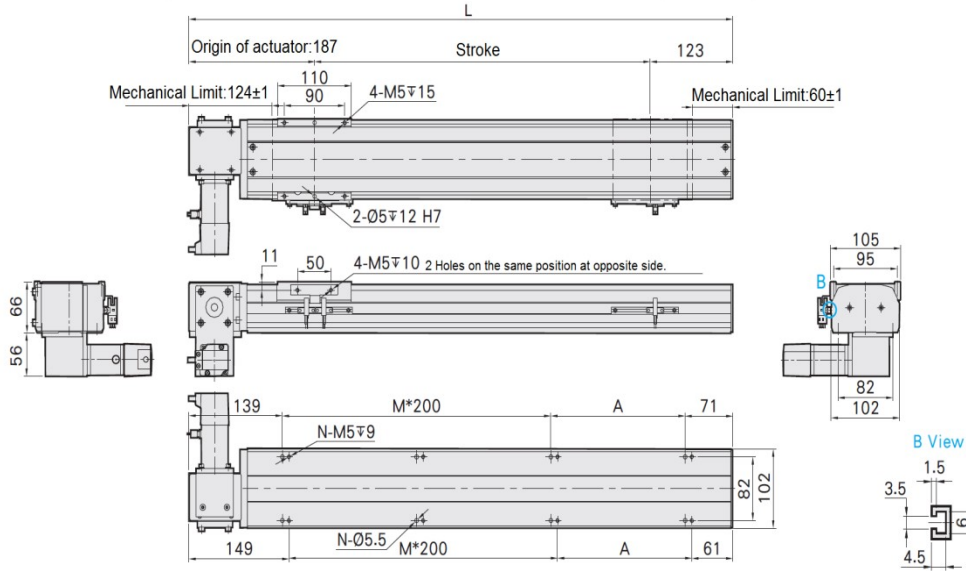
Stroke	50	100	150	200	250	300	350	400	450	500	550	600	650	700	750	800	850	900	950	1000	1050	1100	1150	1200	1250	1300
L	360	410	460	510	560	610	660	710	760	810	860	910	960	1010	1060	1110	1160	1210	1260	1310	1360	1410	1460	1510	1560	1610
A	150	200	50	100	150	200	50	100	150	200	50	100	150	200	50	100	150	200	50	100	150	200	50	100	150	200
M	0	0	1	1	1	1	2	2	2	2	3	3	3	3	4	4	4	4	5	5	5	5	6	6	6	6
N	4	4	6	6	6	6	8	8	8	8	10	10	10	10	12	12	12	12	14	14	14	14	16	16	16	16
Weight(Kg)*	6.37	6.8	7.23	7.65	8.07	8.5	8.92	9.34	9.76	10.19	10.61	11.03	11.46	11.88	12.3	12.73	13.15	13.57	13.99	14.42	14.84	15.26	15.68	16.1	16.52	16.9
Stroke	1350	1400	1450	1500	1550	1600	1650	1700	1750	1800	1850	1900	1950	2000	2050	2100	2150	2200	2250	2300	2350	2400	2450	2500	2550	
L	1660	1710	1760	1810	1860	1910	1960	2010	2060	2110	2160	2210	2260	2310	2360	2410	2460	2510	2560	2610	2660	2710	2760	2810	2860	
A	50	100	150	200	50	100	150	200	50	100	150	200	50	100	150	200	50	100	150	200	50	100	150	200	50	
M	7	7	7	7	8	8	8	8	9	9	9	9	10	10	10	10	11	11	11	11	12	12	12	12	13	
N	18	18	18	18	20	20	20	20	22	22	22	22	24	24	24	24	26	26	26	26	28	28	28	28	30	
Weight(Kg)*	17.36	17.78	18.2	18.62	19.04	19.46	19.88	20.3	20.72	21.14	21.56	21.98	22.4	22.82	23.24	23.66	24.08	24.5	24.92	25.34	25.76	26.18	26.6	27.02	27.44	

Linear Electric Actuator

Series AELB

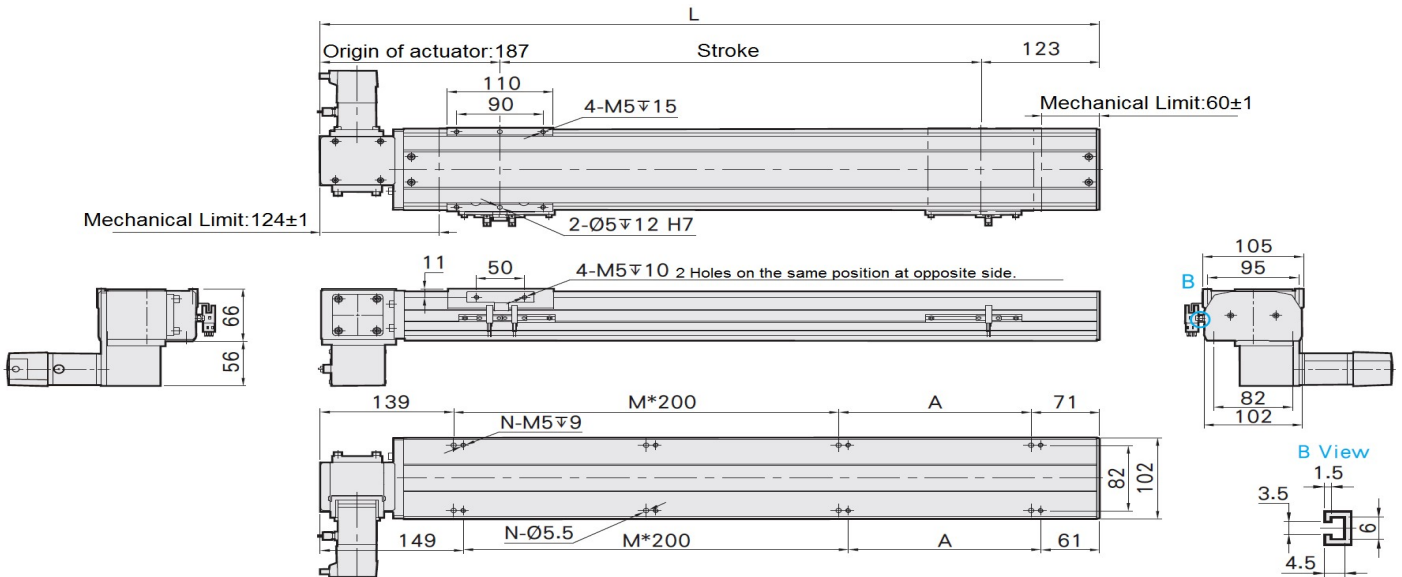
Cat :

Motor Lower Left side-Q



Stroke	50	100	150	200	250	300	350	400	450	500	550	600	650	700	750	800	850	900	950	1000	1050	1100	1150	1200	1250	1300
L	360	410	460	510	560	610	660	710	760	810	860	910	960	1010	1060	1110	1160	1210	1260	1310	1360	1410	1460	1510	1560	1610
A	150	200	50	100	150	200	50	100	150	200	50	100	150	200	50	100	150	200	50	100	150	200	50	100	150	200
M	0	0	1	1	1	1	2	2	2	2	3	3	3	3	4	4	4	4	5	5	5	5	6	6	6	6
N	4	4	6	6	6	6	8	8	8	8	10	10	10	10	12	12	12	12	14	14	14	14	16	16	16	16
Weight(Kg)*	6.37	6.8	7.23	7.65	8.07	8.5	8.92	9.34	9.76	10.19	10.61	11.03	11.46	11.88	12.3	12.73	13.15	13.57	13.99	14.42	14.84	15.26	15.68	16.1	16.52	16.9
Stroke	1350	1400	1450	1500	1550	1600	1650	1700	1750	1800	1850	1900	1950	2000	2050	2100	2150	2200	2250	2300	2350	2400	2450	2500	2550	
L	1660	1710	1760	1810	1860	1910	1960	2010	2060	2110	2160	2210	2260	2310	2360	2410	2460	2510	2560	2610	2660	2710	2760	2810	2860	
A	50	100	150	200	50	100	150	200	50	100	150	200	50	100	150	200	50	100	150	200	50	100	150	200	50	
M	7	7	7	7	8	8	8	8	9	9	9	9	10	10	10	10	11	11	11	11	12	12	12	12	13	
N	18	18	18	18	20	20	20	20	22	22	22	22	24	24	24	24	26	26	26	26	28	28	28	28	30	
Weight(Kg)*	17.36	17.78	18.2	18.62	19.04	19.46	19.88	20.3	20.72	21.14	21.56	21.98	22.4	22.82	23.24	23.66	24.08	24.5	24.92	25.34	25.76	26.18	26.6	27.02	27.44	

Motor Right Lower side-Y



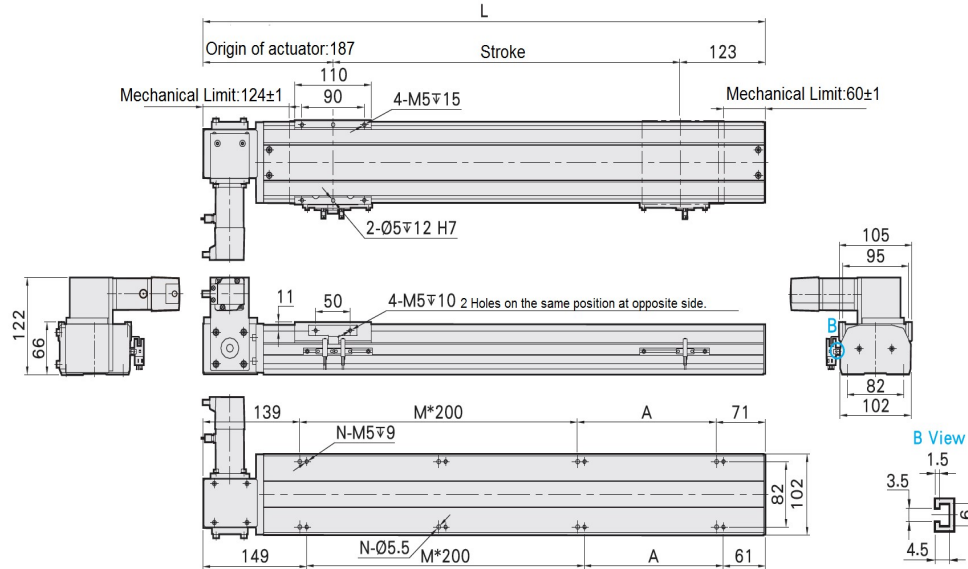
Stroke	50	100	150	200	250	300	350	400	450	500	550	600	650	700	750	800	850	900	950	1000	1050	1100	1150	1200	1250	1300
L	360	410	460	510	560	610	660	710	760	810	860	910	960	1010	1060	1110	1160	1210	1260	1310	1360	1410	1460	1510	1560	1610
A	150	200	50	100	150	200	50	100	150	200	50	100	150	200	50	100	150	200	50	100	150	200	50	100	150	200
M	0	0	1	1	1	1	2	2	2	2	3	3	3	3	4	4	4	4	5	5	5	5	6	6	6	6
N	4	4	6	6	6	6	8	8	8	8	10	10	10	10	12	12	12	12	14	14	14	14	16	16	16	16
Weight(Kg)*	6.37	6.8	7.23	7.65	8.07	8.5	8.92	9.34	9.76	10.19	10.61	11.03	11.46	11.88	12.3	12.73	13.15	13.57	13.99	14.42	14.84	15.26	15.68	16.1	16.52	16.9
Stroke	1350	1400	1450	1500	1550	1600	1650	1700	1750	1800	1850	1900	1950	2000	2050	2100	2150	2200	2250	2300	2350	2400	2450	2500	2550	
L	1660	1710	1760	1810	1860	1910	1960	2010	2060	2110	2160	2210	2260	2310	2360	2410	2460	2510	2560	2610	2660	2710	2760	2810	2860	
A	50	100	150	200	50	100	150	200	50	100	150	200	50	100	150	200	50	100	150	200	50	100	150	200	50	
M	7	7	7	7	8	8	8	8	9	9	9	9	10	10	10	10	11	11	11	11	12	12	12	12	13	
N	18	18	18	18	20	20	20	20	22	22	22	22	24	24	24	24	26	26	26	26	28	28	28	28	30	
Weight(Kg)*	17.36	17.78	18.2	18.62	19.04	19.46	19.88	20.3	20.72	21.14	21.56	21.98	22.4	22.82	23.24	23.66	24.08	24.5	24.92	25.34	25.76	26.18	26.6	27.02	27.44	

Linear Electric Actuator

Series AELB

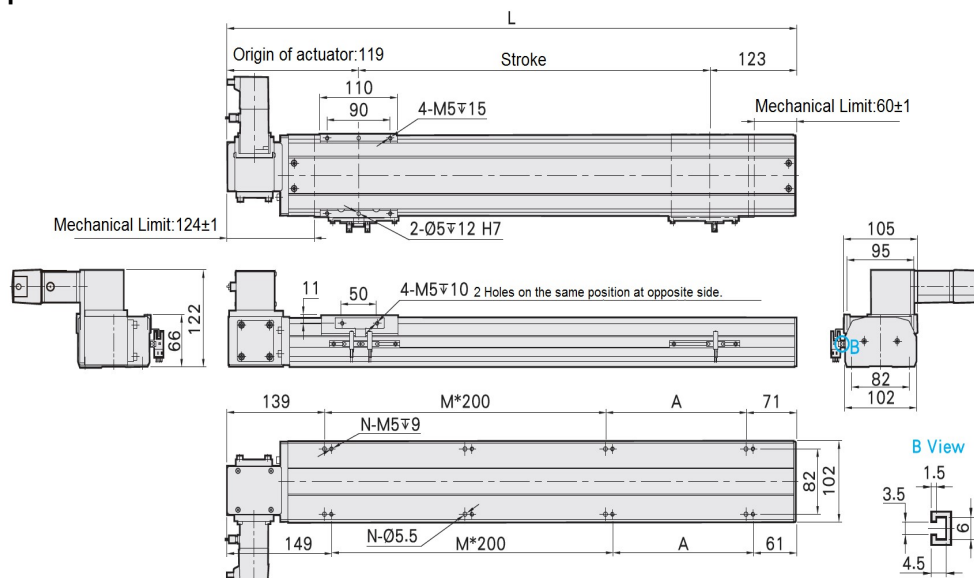
Cat :

Motor Left Upper side-P



Stroke	50	100	150	200	250	300	350	400	450	500	550	600	650	700	750	800	850	900	950	1000	1050	1100	1150	1200	1250	1300
L	360	410	460	510	560	610	660	710	760	810	860	910	960	1010	1060	1110	1160	1210	1260	1310	1360	1410	1460	1510	1560	1610
A	150	200	50	100	150	200	50	100	150	200	50	100	150	200	50	100	150	200	50	100	150	200	50	100	150	200
M	0	0	1	1	1	1	2	2	2	2	3	3	3	3	4	4	4	4	5	5	5	5	6	6	6	6
N	4	4	6	6	6	6	8	8	8	8	10	10	10	10	12	12	12	12	14	14	14	14	16	16	16	16
Weight(Kg)*	6.37	6.8	7.23	7.65	8.07	8.5	8.92	9.34	9.76	10.19	10.61	11.03	11.46	11.88	12.3	12.73	13.15	13.57	13.99	14.42	14.84	15.26	15.68	16.1	16.52	16.9
Stroke	1350	1400	1450	1500	1550	1600	1650	1700	1750	1800	1850	1900	1950	2000	2050	2100	2150	2200	2250	2300	2350	2400	2450	2500	2550	
L	1660	1710	1760	1810	1860	1910	1960	2010	2060	2110	2160	2210	2260	2310	2360	2410	2460	2510	2560	2610	2660	2710	2760	2810	2860	
A	50	100	150	200	50	100	150	200	50	100	150	200	50	100	150	200	50	100	150	200	50	100	150	200	50	
M	7	7	7	7	8	8	8	8	9	9	9	9	10	10	10	10	11	11	11	11	12	12	12	12	13	
N	18	18	18	18	20	20	20	20	22	22	22	22	24	24	24	24	26	26	26	26	28	28	28	28	30	
Weight(Kg)*	17.36	17.78	18.2	18.62	19.04	19.46	19.88	20.3	20.72	21.14	21.56	21.98	22.4	22.82	23.24	23.66	24.08	24.5	24.92	25.34	25.76	26.18	26.6	27.02	27.44	

Motor Right Upper side-X



Stroke	50	100	150	200	250	300	350	400	450	500	550	600	650	700	750	800	850	900	950	1000	1050	1100	1150	1200	1250	1300
L	360	410	460	510	560	610	660	710	760	810	860	910	960	1010	1060	1110	1160	1210	1260	1310	1360	1410	1460	1510	1560	1610
A	150	200	50	100	150	200	50	100	150	200	50	100	150	200	50	100	150	200	50	100	150	200	50	100	150	200
M	0	0	1	1	1	1	2	2	2	2	3	3	3	3	4	4	4	4	5	5	5	5	6	6	6	6
N	4	4	6	6	6	6	8	8	8	8	10	10	10	10	12	12	12	12	14	14	14	14	16	16	16	16
Weight(Kg)*	6.37	6.8	7.23	7.65	8.07	8.5	8.92	9.34	9.76	10.19	10.61	11.03	11.46	11.88	12.3	12.73	13.15	13.57	13.99	14.42	14.84	15.26	15.68	16.1	16.52	16.9
Stroke	1350	1400	1450	1500	1550	1600	1650	1700	1750	1800	1850	1900	1950	2000	2050	2100	2150	2200	2250	2300	2350	2400	2450	2500	2550	
L	1660	1710	1760	1810	1860	1910	1960	2010	2060	2110	2160	2210	2260	2310	2360	2410	2460	2510	2560	2610	2660	2710	2760	2810	2860	
A	50	100	150	200	50	100	150	200	50	100	150	200	50	100	150	200	50	100	150	200	50	100	150	200	50	
M	7	7	7	7	8	8	8	8	9	9	9	9	10	10	10	10	11	11	11	11	12	12	12	12	13	
N	18	18	18	18	20	20	20	20	22	22	22	22	24	24	24	24	26	26	26	26	28	28	28	28	30	
Weight(Kg)*	17.36	17.78	18.2	18.62	19.04	19.46	19.88	20.3	20.72	21.14	21.56	21.98	22.4	22.82	23.24	23.66	24.08	24.5	24.92	25.34	25.76	26.18	26.6	27.02	27.44	

Linear Electric Actuator

Series AELB

Cat :

How to order

AELB102	<table border="1" style="width: 100%; border-collapse: collapse;"> <tr><th colspan="2">Lead</th></tr> <tr><td style="width: 10%;">32</td><td style="width: 90%;">32mm</td></tr> </table>	Lead		32	32mm	<table border="1" style="width: 100%; border-collapse: collapse;"> <tr><th colspan="2">Stroke</th></tr> <tr><td style="width: 10%;">0050-2550mm</td><td style="width: 90%;"></td></tr> </table>	Stroke		0050-2550mm		<table border="1" style="width: 100%; border-collapse: collapse;"> <tr><th colspan="2">Motor Position</th></tr> <tr><td style="width: 10%;">L</td><td style="width: 90%;">Left Side</td></tr> <tr><td>R</td><td>Right Side</td></tr> <tr><td>P</td><td>Left Upper</td></tr> <tr><td>Q</td><td>Left Lower</td></tr> <tr><td>X</td><td>Right Upper</td></tr> <tr><td>Y</td><td>Right Lower</td></tr> </table>	Motor Position		L	Left Side	R	Right Side	P	Left Upper	Q	Left Lower	X	Right Upper	Y	Right Lower	<table border="1" style="width: 100%; border-collapse: collapse;"> <tr><th colspan="2">Motor Specification</th></tr> <tr><th colspan="2">AC Servo</th></tr> <tr><td style="width: 10%;">D</td><td style="width: 90%;">Delta</td></tr> <tr><td>Y</td><td>Yaskawa</td></tr> <tr><td>M</td><td>Mitsubishi</td></tr> <tr><td>P</td><td>Panasonic</td></tr> <tr><td>V</td><td>INVT</td></tr> <tr><td>T</td><td>Others</td></tr> </table>	Motor Specification		AC Servo		D	Delta	Y	Yaskawa	M	Mitsubishi	P	Panasonic	V	INVT	T	Others	<table border="1" style="width: 100%; border-collapse: collapse;"> <tr><th colspan="2">Motor Power</th></tr> <tr><th colspan="2">AC Servo</th></tr> <tr><td style="width: 10%;">B</td><td style="width: 90%;">100W</td></tr> </table>	Motor Power		AC Servo		B	100W
Lead																																																	
32	32mm																																																
Stroke																																																	
0050-2550mm																																																	
Motor Position																																																	
L	Left Side																																																
R	Right Side																																																
P	Left Upper																																																
Q	Left Lower																																																
X	Right Upper																																																
Y	Right Lower																																																
Motor Specification																																																	
AC Servo																																																	
D	Delta																																																
Y	Yaskawa																																																
M	Mitsubishi																																																
P	Panasonic																																																
V	INVT																																																
T	Others																																																
Motor Power																																																	
AC Servo																																																	
B	100W																																																
	<table border="1" style="width: 100%; border-collapse: collapse;"> <tr><th colspan="2">Brake</th></tr> <tr><td style="width: 10%;">Nil</td><td style="width: 90%;">Without Brake</td></tr> <tr><td>B</td><td>With Brake</td></tr> </table>	Brake		Nil	Without Brake	B	With Brake	<table border="1" style="width: 100%; border-collapse: collapse;"> <tr><th colspan="2">Gear Specification</th></tr> <tr><td style="width: 10%;">Nil</td><td style="width: 90%;">Without Gear Box</td></tr> </table>	Gear Specification		Nil	Without Gear Box	<table border="1" style="width: 100%; border-collapse: collapse;"> <tr><th colspan="2">Motor & Encoder Cable</th></tr> <tr><td style="width: 10%;">1</td><td style="width: 90%;">1m</td></tr> <tr><td>3</td><td>3m</td></tr> <tr><td>5</td><td>5m</td></tr> <tr><td>T</td><td>10m</td></tr> </table>	Motor & Encoder Cable		1	1m	3	3m	5	5m	T	10m	<table border="1" style="width: 100%; border-collapse: collapse;"> <tr><th colspan="2">I/O Cable</th></tr> <tr><td style="width: 10%;">N</td><td style="width: 90%;">Without Cable</td></tr> <tr><td>1</td><td>1m</td></tr> <tr><td>A</td><td>1.5m</td></tr> <tr><td>2</td><td>2m</td></tr> </table>	I/O Cable		N	Without Cable	1	1m	A	1.5m	2	2m	<table border="1" style="width: 100%; border-collapse: collapse;"> <tr><th colspan="2">Customization Order no</th></tr> <tr><td style="width: 10%;">X</td><td style="width: 90%;">Special Requirements</td></tr> </table>	Customization Order no		X	Special Requirements										
Brake																																																	
Nil	Without Brake																																																
B	With Brake																																																
Gear Specification																																																	
Nil	Without Gear Box																																																
Motor & Encoder Cable																																																	
1	1m																																																
3	3m																																																
5	5m																																																
T	10m																																																
I/O Cable																																																	
N	Without Cable																																																
1	1m																																																
A	1.5m																																																
2	2m																																																
Customization Order no																																																	
X	Special Requirements																																																

Example :

Ordering no. for Rodless electric actuator-Belt type 102mm size,32mm belt lead,150 mm stroke with Delta 100W servo motor mounted at the left side, with 3m Motor cable,1.5m I/O cable.

AELB102320150L-DB-3A